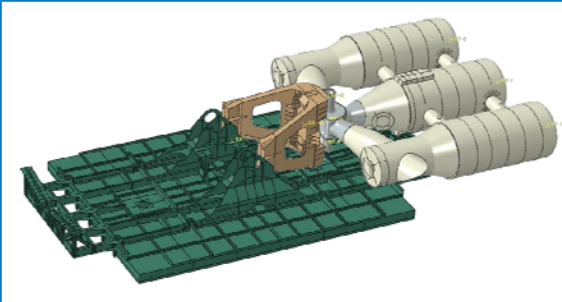


PROJECT:

Port Fairy BioWave Installation Analysis

**under-promise
over-deliver**



CLIENT:
BioPower Systems
LOCATION:
Bass Strait
DATE:
Q1 2015



The bioWAVE is an innovative, clean energy solution being developed for utility-scale power production from ocean waves by BioPower Systems. A 250 kW bioWAVE pilot project was constructed and installed in 2015. A methodology for deployment near Port Fairy, Victoria, was proposed by a heavy lift contractor and reviewed by Linch-pin to provide assurance. The review found that the heavy lift contractor's vessel cranes did not have sufficient capacity to cater for the dynamic loading experienced during the installation through the water surface without carrying significant weather risk costs to the project. As a result, a larger vessel was commissioned for the project that successfully installed the structure with minimal weather downtime.

